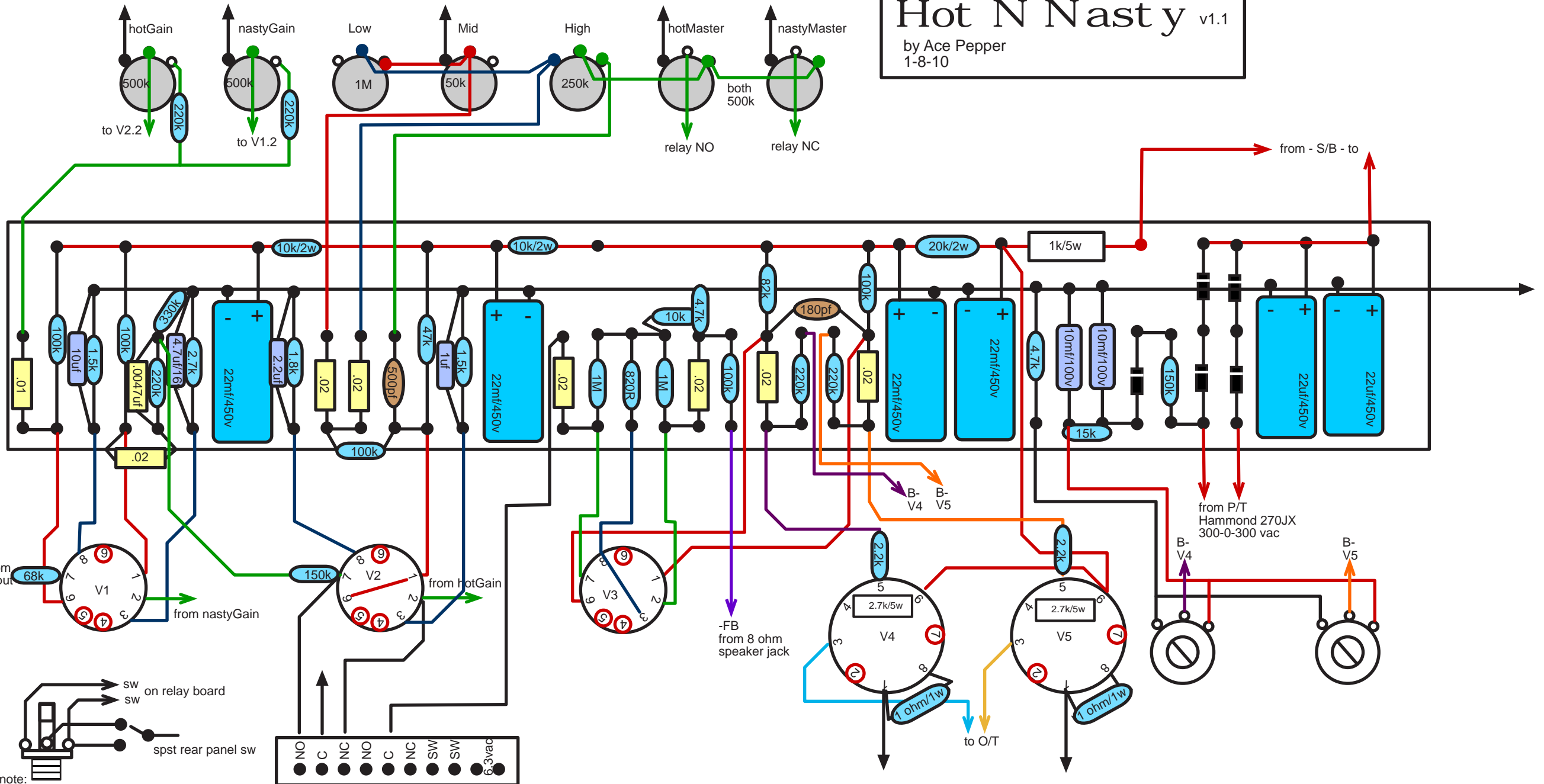


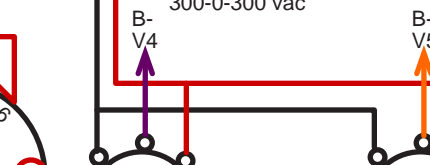
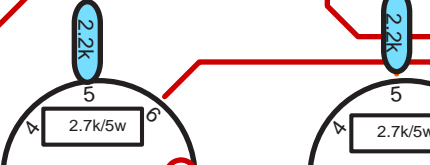
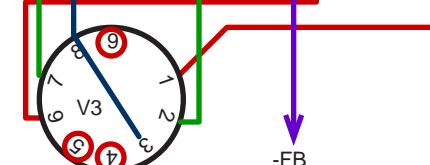
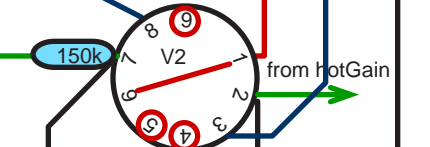
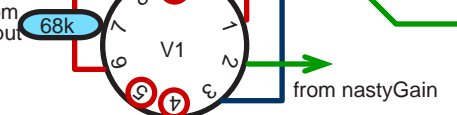
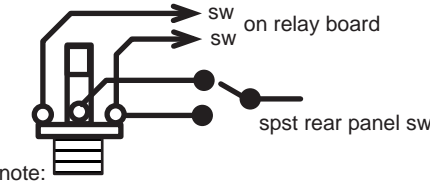
Hot N Nasty v1.1

by Ace Pepper
1-8-10

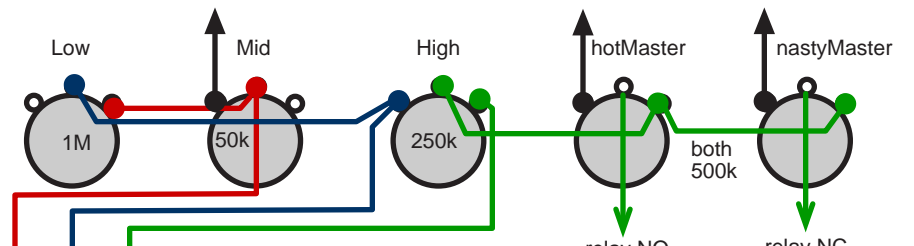
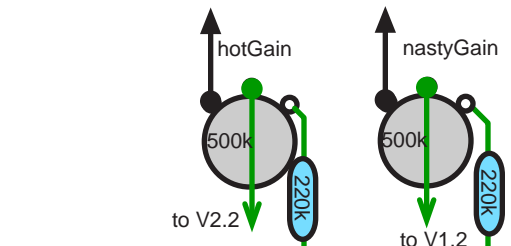
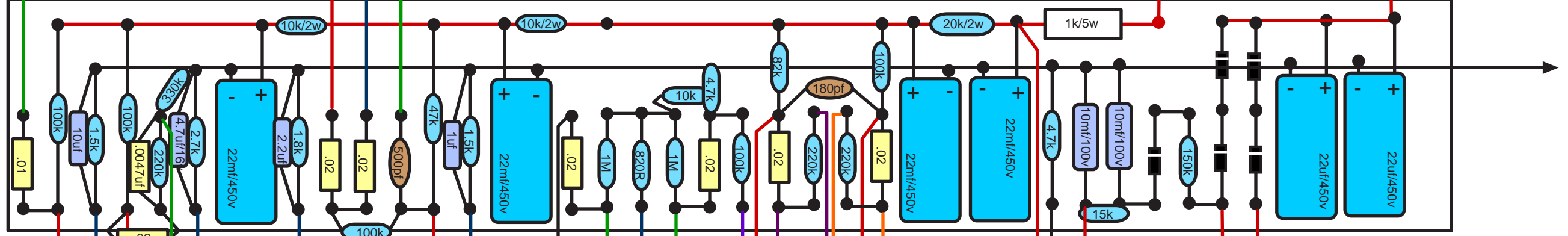
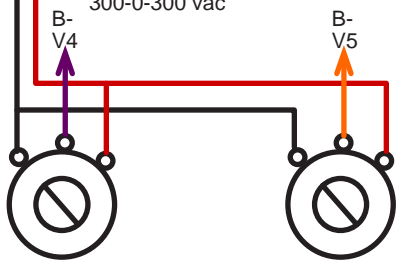


note:
Jack must be isolated from chassis.
Use shoulder washers or Cliff jack.

Weber Relay Board connects



from P/T
Hammond 270JX
300-0-300 vac



from - S/B - to