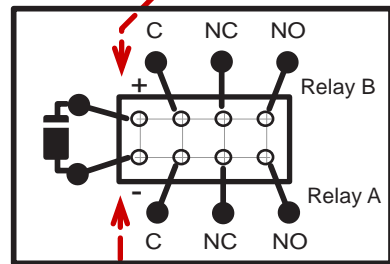
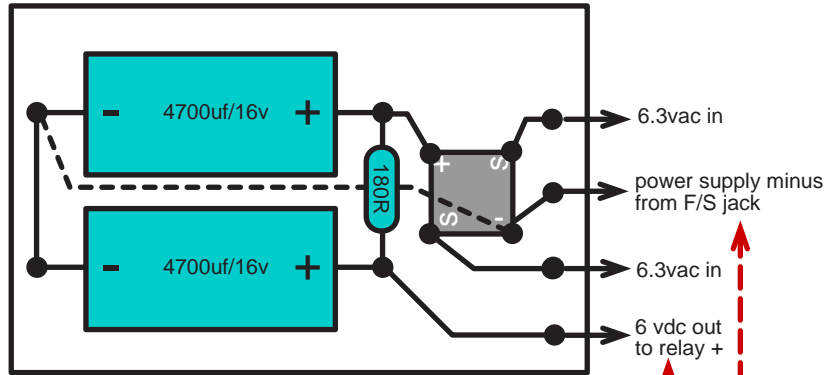


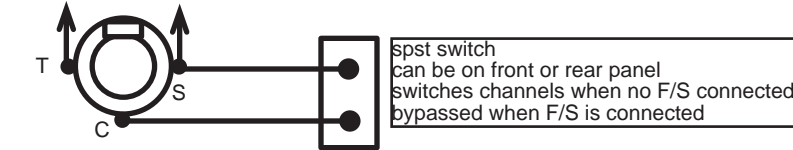


Relay power supply board. from hoffmanamps.com  
 6.3vac connect to amp's heater supply. 6 vdc out goes to the relay coil positive/plus. The relay coil negative/minus is switched to return to the power supply minus and activate the relay. The footswitch jack is not grounded to prevent hum.



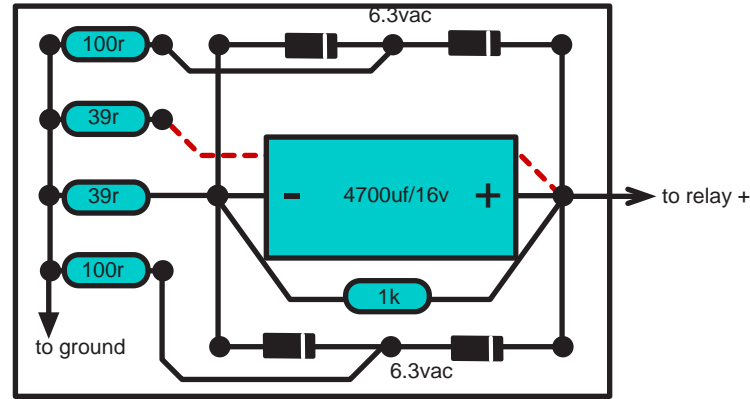
Relay board - top view

from relay - power supply minus



footswitch jack - must be insulated from chassis use shoulder washers or plastic Cliff-type jack

Another idea for a relay power supply. Based on an idea from blueguitar.org. With this setup the relay minus can be grounded without causing amp hum, no isolated jack required.



Another version w/ integrated relay.

